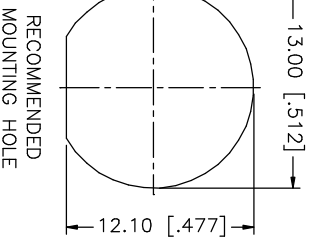
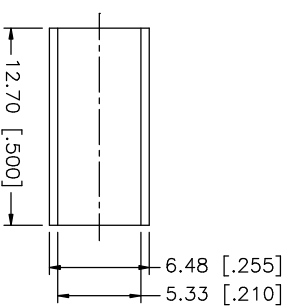
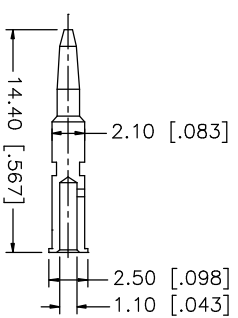
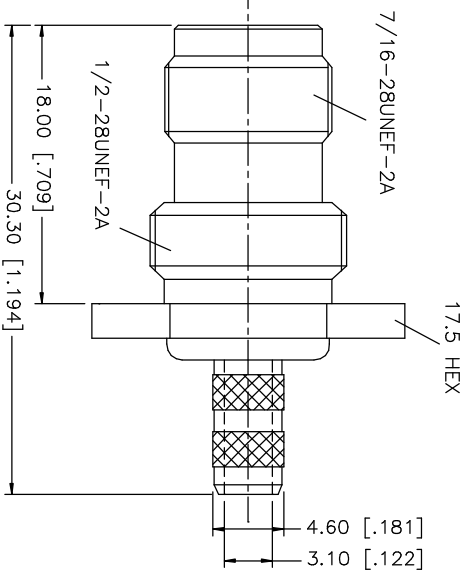
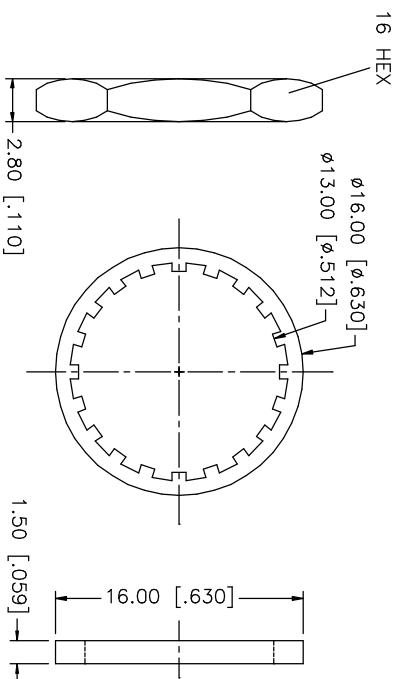
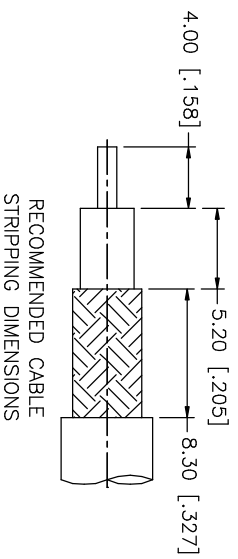


REV.	DATE	DESCRIPTION
NC	06/05/03	INITIAL RELEASE



NOTES:

1. CRIMPED FERRULE
HEX CRIMP SIZE ".213"
2. CRIMPED CONTACT PIN
HEX CRIMP SIZE ".068"

8	DESCRIPTION	MATERIAL	FINISH	QTY
8	FERRULE	COPPER	NICKEL	
7	GASKET	RUBBER	RED	
6	HEX NUT	BRASS	NICKEL	
5	LOCKWASHER	BRASS	NICKEL	
4	CONTACT PIN	BRASS	GOLD	
3	INSULATOR	TEFLON	NATURAL	
2	BODY	BRASS	NICKEL	
1				

UNLESS OTHERWISE SPECIFIED DIMENSIONS ARE IN MILLIMETERS. DIMENSIONS IN [] ARE IN INCHES AND FOR CUSTOMER REFERENCE ONLY.	UNLESS OTHERWISE SPECIFIED TOLERANCES FOR MILLIMETERS ARE:	UNLESS OTHERWISE SPECIFIED TOLERANCES FOR INCHES ARE:
0.5 - 8mm ± 0.20mm	8 - 30mm ± 0.40mm	30 - 120mm ± 0.50mm
UNLESS OTHERWISE SPECIFIED DIMENSIONS ARE IN MILLIMETERS. DIMENSIONS IN [] ARE IN INCHES AND FOR CUSTOMER REFERENCE ONLY.		
UNLESS OTHERWISE SPECIFIED TOLERANCES FOR MILLIMETERS ARE:		
UNLESS OTHERWISE SPECIFIED TOLERANCES FOR INCHES ARE:		
.020 - .315 = ± 0.007"		
.315 - 1.180 = ± 0.015"		
1.180 - 4.724 = ± 0.020"		

APPROVALS	DATE
DRAWN G.R.S.	06/05/03
CHECKED	
ISSUED	
SHEET 1 OF 1	

CAD FILE	DWG. NO.	REV. NC	SIZE	SCALE
C:/122/122160RP.DWG	122160RP.DWG		A	NA

PART DESCRIPTION	PART NO.
TNC REVERSE POLARITY BULKHEAD CRIMP JACK (FOR RG-58/U, 58C/U CABLE)	122160RP